



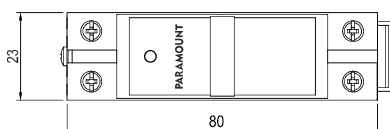
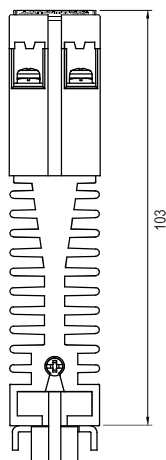
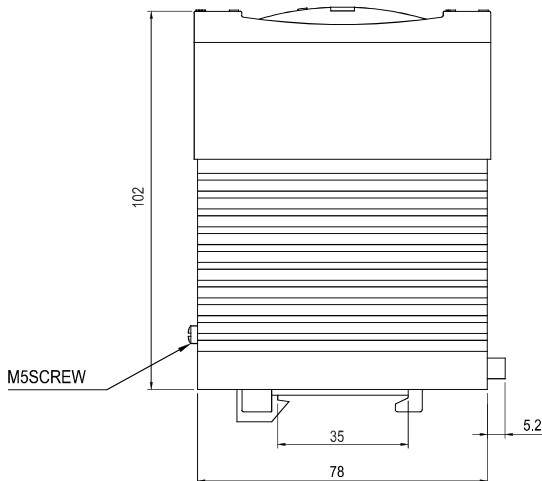
# PSR - 22.5

## Solid State Relays Din Rail Mountable Type

### Specifications

Operate Time Max	: Z - AC = 12 msec & DC = 20 msec
Release Time Max	: R - AC = 1/2 cycle & DC = 40 msec
Output ON Voltage Drop	: 1.6 VRMS
Insulation Resistance (between I/P & O/P)	: 100 M Min. @ 500VDC
Dielectric Strength	: 3.5 KVAC (Between input and Output)
Ambient Temperature	: - 20° C to + 70° C
Heat sink Capacity @ Max.	
Load current	: 3.5 ° C/W
Dimension	: L x B x H = 80 x 23 x 102
Weight	: 250 gms
Mounting Type	: Din Rail Mountable

### Dimensions in mm.



### Input Circuit

LED Indicator	: Available
Control Voltage Range	: DC - 3 to 32VDC
Control Current	: 15 mA Max

### Output Circuit

Load Current Range	: 0.1A to 10A
Load Voltage Range	: 35 - 300 VAC / 50 - 480VAC
Non-repetitive Max.	
Peak Voltage	: 600VAC / 800VAC
Non-repetitive Max.	
Peak Current @ 50Hz	
1 full cycle	: 100A
1 <sup>2</sup> A <sup>2</sup> 2 S tp 10msec	: 55
Max. off state Leakage current	: 5mA
Max. Off -state slew rate (dv/dt)	: 500V / μs
On State Voltage Drop	: 1.6V max
Operating Frequency range	: 47 to 63 Hz

### Ordering Information

PSR - 22.5	<input type="checkbox"/>	<input type="checkbox"/>	<input type="checkbox"/>	10A
1	2	3	4	

**1. MODEL NUMBER**  
PSR-22.5 Solid State Relay

**3. SWITCHING MODE**  
Z : Zero Cross Over  
R : Random

**2. INPUT VOLTAGE AC / DC**  
A : 3 VDC to 32 VDC  
B : 115 VAC ( 85 VAC - 130 VAC)  
C : 230 VAC (170 VAC - 250 VAC)  
D : 100 VAC to 230 VAC

**4. OUTPUT LOAD VOLTAGE**  
1 : 35 to 330 VAC  
2 : 50 to 480 VAC  
3 : For DC output load voltage contact factory

### Approvals